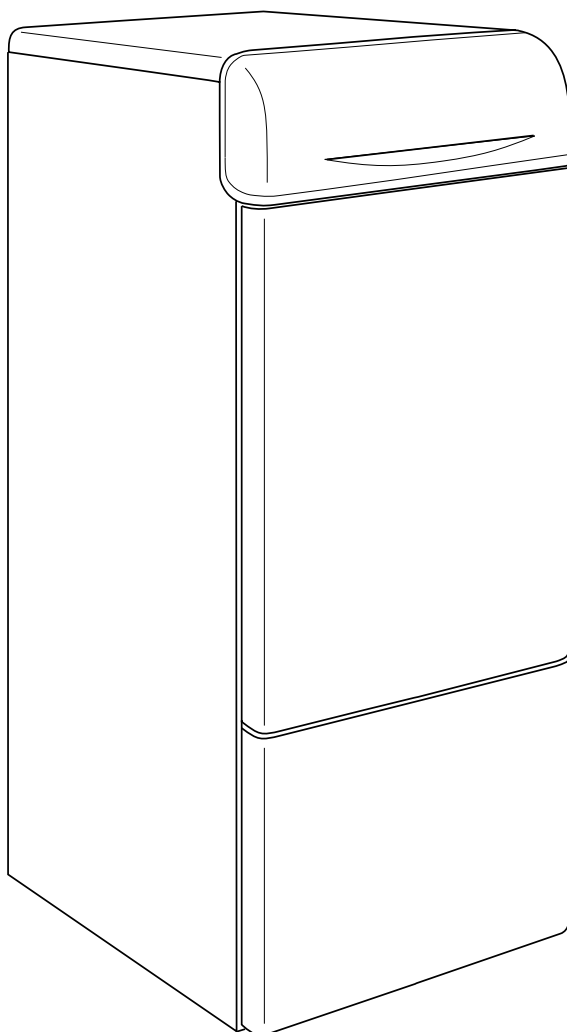


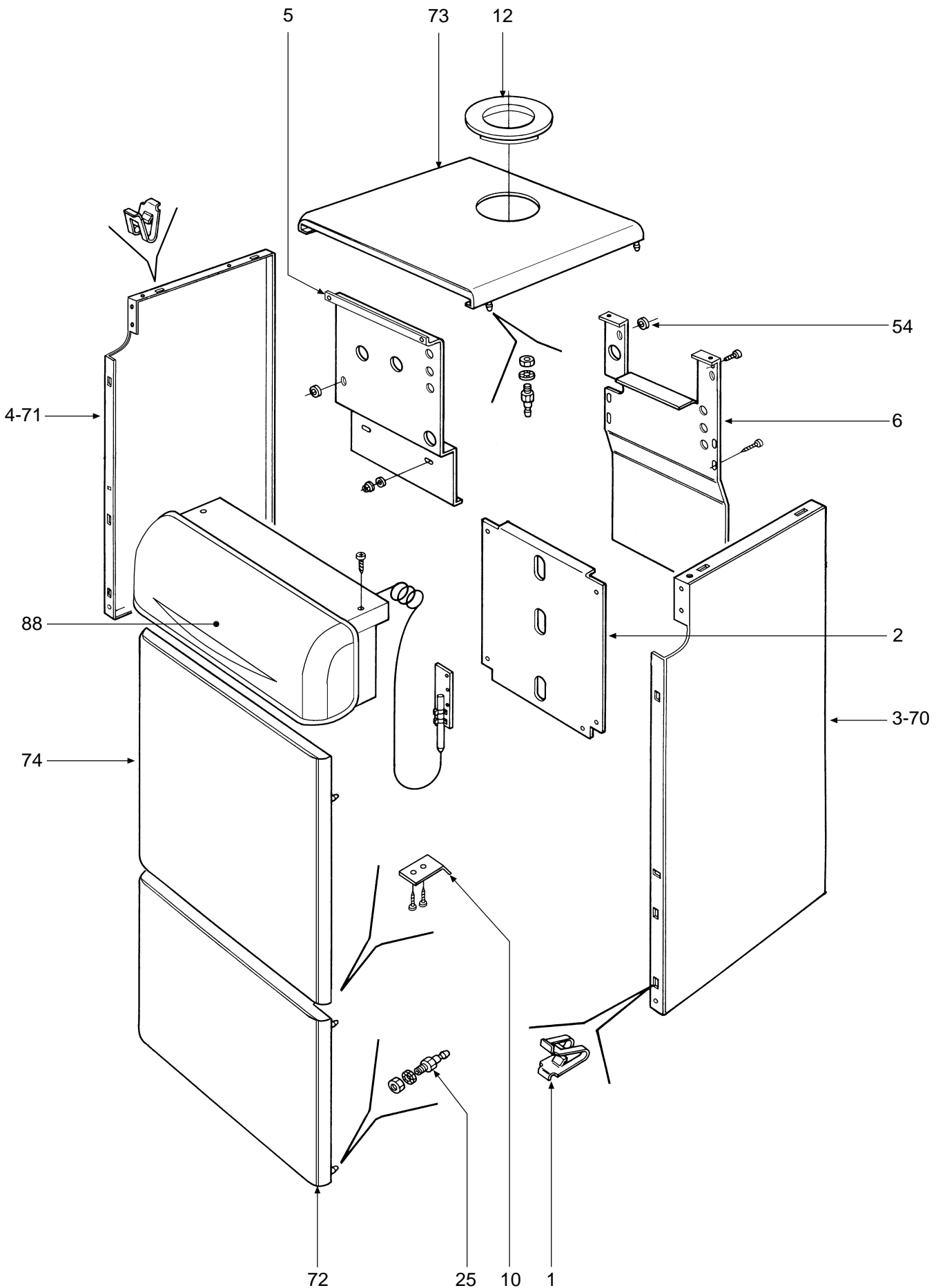


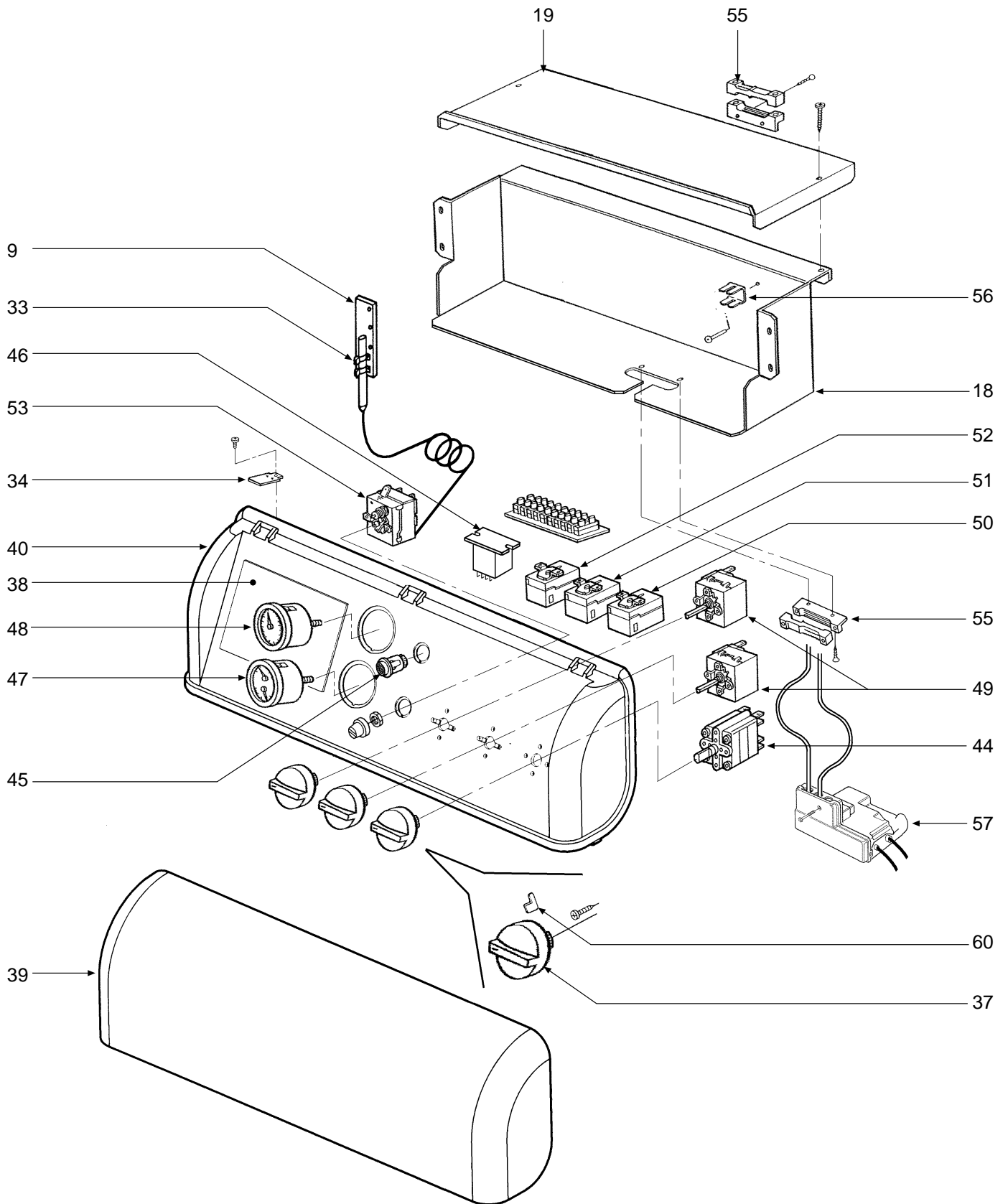
TANTAQUA N EL

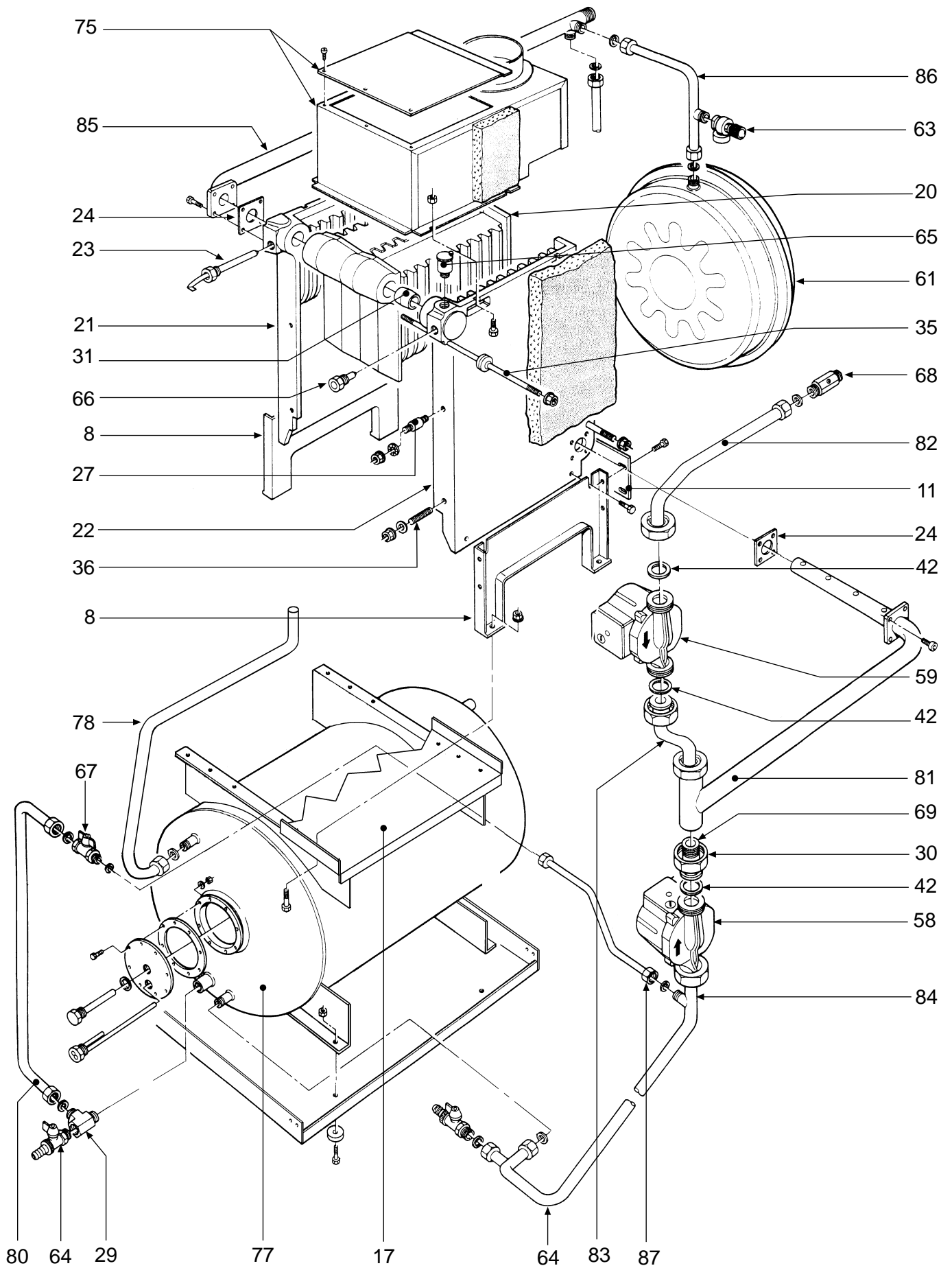
- LISTA PEZZI DI RICAMBIO
- SPARE PART LIST
- ERSATZSTEILE
- LIJST ONDERDELEN
- LISTE PIECES DETACHES
- LISTA PIEZAS DE REPUESTO

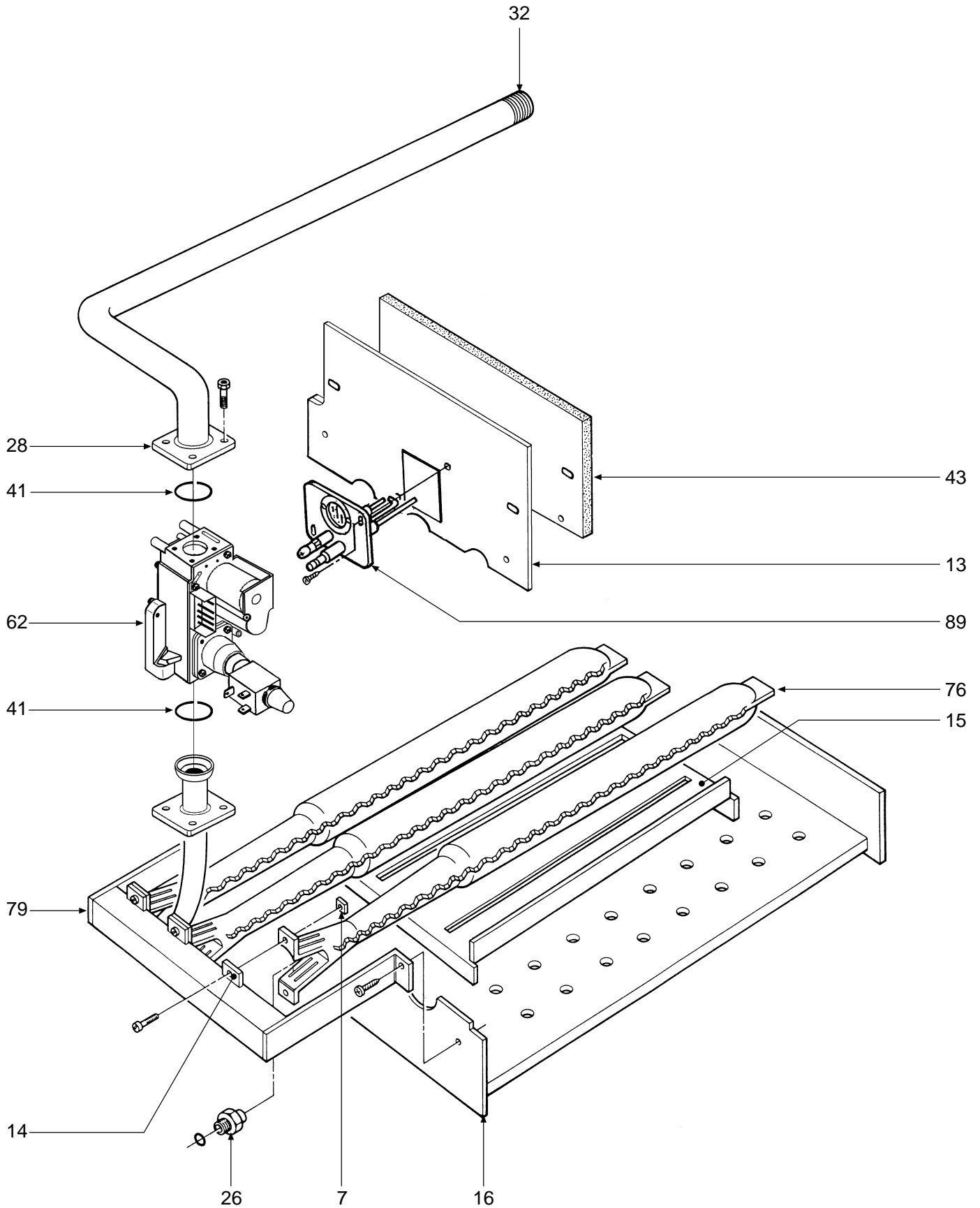


CODICE	EDIZIONE	MERCATO	VISTO
30R0530/0	06 - 01	EX









POS.	CODE	DESCRIPTION	23	30
1	31000210	Pin coupling spring	•	•
2	31147420	Bottom rear wall	•	•
3	31147440	Right side panel	•	•
4	31147460	Left side panel	•	•
5	31149280	Front wall	•	
5	31149290	Front wall		•
6	31149340	Top rear wall	•	
6	31149350	Top rear wall		•
7	31203141	Fixing plate	•	•
8	31211150	Reversible support leg	•	•
9	31211670	Support plate, flue gases thermostat	•	•
10	31211680	bracket	•	•
11	31212140	Drawer support wall	•	
11	31212150	Drawer support wall		•
12	32113940	Flue ring bush, Øi 116	•	
12	32113950	Flue ring bush, Øi 136		•
13	32114510	Combustion chamber door	•	
13	32114520	Combustion chamber door		•
14	32201490	Burner holder flange	•	•
15	32906270	Gas system drawer grill	•	
15	32906280	Gas system drawer grill		•
16	32906720	Gas system drawer	•	
16	32906730	Gas system drawer		•
17	32914260	Boiler basin	•	•
18	32914280	Wiring protection plate	•	•
19	32914310	Wiring protection cover	•	•
20	33003170	Intermediate element, finished	•	•
21	33003182	Left element, finished	•	•
22	33003290	Right element, finished	•	•
23	33400690	Bulbs sheath	•	•
24	33700521	Gasket, 65x65x3	•	•
25	34000640	Pin for coupling	•	•
26	34005410	Injector, Ø 1.50 G31	•	•
26	34005880	Injector, Ø 2.35 (natural gas)	•	•
27	34007450	Spacer	•	•
28	34008490	Flange	•	•
29	34010110	Coupling for drain cock, 1/2"	•	•
30	34011090	Union nut, 1"	•	•
31	34218521	Cone insert Øe 47	•	•
32	34224550	Gas inlet pipe	•	
32	34224560	Gas inlet pipe		•
33	34300201	Spring for plate	•	•
34	34300470	Control panel locking spring	•	•
35	34401240	Tie rod, M10 x 330	•	
35	34402900	Tie rod, M10 x 400		•
36	34501110	Threaded bar, M6x35	•	•
37	35008000	Control panel instruments knob	•	•
38	35008010	Control unit hole plug	•	•

POS.	CODE	DESCRIPTION	23	30
39	35008060	Control panel cover	•	•
40	35008080	Control panel, Lg.500 "white"	•	•
41	35100460	O-Ring, 130	•	•
42	35101381	Gasket, Øe 30, Øi 20, 2 thick	•	•
43	35317140	Combustion chamber door insulation	•	
43	35317150	Combustion chamber door insulation		•
44	36100240	Switch, 3-position	•	•
45	36100330	Unipolar reset illuminated pushbutton	•	•
46	36200520	Relay	•	•
47	36400210	Thermohydrometer	•	•
48	36400250	Thermometer	•	•
49	36401190	Thermostat TR2 540496 capillary 1500	•	•
50	36401230	Thermostat TR2 capillary 1500	•	•
51	36401260	Thermostat TR2 capillary 1500	•	•
52	36401320	Safety thermostat LS3 RA 541765 IMIT capillary 1000 110°	•	•
53	36401450	Thermostat LS1 capillary 1500 110°	•	•
54	36501910	Grommet	•	•
55	36503631	Dual cable clamp	•	•
56	36505720	four-tab earthing rivet	•	•
57	36506840	Control unit	•	•
58	36601460	Pump, WSC NYL40-15-O CRR-3	•	•
59	36601480	Pump, WSC NYL40-15 OCRR 12	•	•
60	36701910	Knob adjusting stop	•	•
61	36801010	Flat circular expansion tank, 10 l	•	•
62	36802760	Gas valve	•	•
63	36900570	Safety valve 1/2" - 3 bar	•	•
64	36900700	Ball cock, 1/2"	•	•
65	36900880	Automatic air valve, 1/2"	•	•
66	36901140	Check valve, 1/2" for pressure gauge	•	•
67	36901360	Ball cock, MM 1/2" ÷ 3/4" + V.NR	•	•
68	36901500	34» non-return valve	•	•
69	36901970	Check valve 34"	•	•
70	37035540	Right side panel, complete	•	•
71	37035550	Left side panel, complete	•	•
72	37035560	Complete boiler panel	•	•
73	37035570	Complete cover	•	•
74	37035580	Complete door	•	•
75	37511280	Draft diverter, aluminium	•	
75	37511291	Draft diverter, aluminium		•
76	37605840	Burner	•	•
77	37704630	100 l. hot water tank, complete	•	•
78	38411460	Tank flow pipe	•	•
79	38412980	Gas manifold	•	
79	38412990	Gas manifold		•
80	38413020	Filling pipe upstream of cock	•	•
81	38413690	Diffuser pipework	•	
81	38413700	Diffuser pipework		•
82	38413710	Pipe upstream of heat pump	•	•

POS.	CODICE	DESCRIZIONE	23	30
1	31000210	Molletta innesto piolini	•	•
2	31147420	Parete posteriore inferiore	•	•
3	31147440	Fianco destro	•	•
4	31147460	Fianco sinistro	•	•
5	31149280	Parete anteriore	•	
5	31149290	Parete anteriore		•
6	31149340	Parete posteriore superiore	•	
6	31149350	Parete posteriore superiore		•
7	31203141	Piastrina fissaggio	•	•
8	31211150	Gamba supporto reversibile	•	•
9	31211670	Piastrina supporto bulbo termostato fumi	•	•
10	31211680	Staffa aggancio	•	•
11	31212140	Parete supporto cassetto	•	
11	31212150	Parete supporto cassetto		•
12	32113940	Ghiera camino Øi 116	•	
12	32113950	Ghiera camino Øi 136		•
13	32114510	Portina camera combustione	•	
13	32114520	Portina camera combustione		•
14	32201490	Flangia porta bruciatore	•	•
15	32906270	Griglia cassetto impianto gas	•	
15	32906280	Griglia cassetto impianto gas		•
16	32906720	Cassetto per impianto gas	•	
16	32906730	Cassetto per impianto gas		•
17	32914260	Bacinella caldaia	•	•
18	32914280	Lamiera protezione cablaggio	•	•
19	32914310	Coperchio protezione cablaggio	•	•
20	33003170	Elemento intermedio finito	•	•
21	33003182	Elemento sinistro finito	•	•
22	33003290	Elemento destro finito	•	•
23	33400690	Guaina bulbi	•	•
24	33700521	Guarnizione 65x65x3	•	•
25	34000640	Piolino per innesto	•	•
26	34005410	Ugello foro Ø 1,50 G31	•	•
26	34005880	Ugello foro Ø 2,35 Metano (G20-G25)	•	•
27	34007450	Distanziale	•	•
28	34008490	Flangetta	•	•
29	34010110	Raccordo per rubinetto scarico 1/2"	•	•
30	34011090	Girello 1"	•	•
31	34218521	Bicono Øe 47	•	•
32	34224550	Tubo entrata gas	•	
32	34224560	Tubo entrata gas		•
33	34300201	Molla per piastrina	•	•
34	34300470	Molla bloccaggio cruscotto	•	•
35	34401240	Tirante M10 x 330	•	
35	34402900	Tirante M10 x 400		•
36	34501110	Barra filettata M6x35	•	•
37	35008000	Manopola strumenti cruscotto	•	•
38	35008010	Tappo copriforo centralina	•	•

POS.	CODICE	DESCRIZIONE	23	30
39	35008060	Coperchio cruscotto	•	•
40	35008080	Cruscotto Lg.500 "bianco"	•	•
41	35100460	Guarnizione OR 130	•	•
42	35101381	Guarnizione Øe 30 Øi 20 sp. 2	•	•
43	35317140	Isolante portina camera combustione	•	
43	35317150	Isolante portina camera combustione		•
44	36100240	Commutatore	•	•
45	36100330	Pulsante UP. spia (pulsante luminoso di riarmo unipolare)	•	•
46	36200520	Relé	•	•
47	36400210	Termoidrometro	•	•
48	36400250	Termometro	•	•
49	36401190	Termostato TR2 540496 capillare 1500	•	•
50	36401230	Termostato TR2 capillare 1500	•	•
51	36401260	Termostato TR2 capillare 1500	•	•
52	36401320	Termostato sicurezza LS3 RA 541765 IMIT capillare 1000 110°	•	•
53	36401450	Termostato LS1 capillare 1500 110°	•	•
54	36501910	Passacavo	•	•
55	36503631	Pressacavo doppio	•	•
56	36505720	Rivetto di massa a 4 linguette	•	•
57	36506840	Centralina di accensione	•	•
58	36601460	Pompa WSC NYL40-15-O CRR-3	•	•
59	36601480	Pompa WSC NYL40-15 OCRR 12	•	•
60	36701910	Fermo di regolazione per manopola	•	•
61	36801010	Vaso di espansione circolare piatto 10 lt.	•	•
62	36802760	Valvola gas	•	•
63	36900570	Valvola di sicurezza 1/2" - 3 bar	•	•
64	36900700	Rubinetto a sfera 1/2"	•	•
65	36900880	Valvola automatica sfogo aria 1/2"	•	•
66	36901140	Valvola di ritegno 1/2" per manometro	•	•
67	36901360	Rubinetto a sfera MM 1/2" ÷ 3/4" + V.NR	•	•
68	36901500	Valvola non ritorno 3/4"	•	•
69	36901970	Valvola ritegno 34"	•	•
70	37035540	Fianco destro completo	•	•
71	37035550	Fianco sinistro completo	•	•
72	37035560	Pannello boiler completo	•	•
73	37035570	Coperchio completo	•	•
74	37035580	Porta completa	•	•
75	37511280	Antirefouleur in alluminio	•	
75	37511291	Antirefouleur in alluminio		•
76	37605840	Brucciato	•	•
77	37704630	Gruppo boiler 100 lt. completo	•	•
78	38411460	Tubazione mandata boiler	•	•
79	38412980	Collettore gas	•	
79	38412990	Collettore gas		•
80	38413020	Tubazione riempimento a monte rubinetto	•	•
81	38413690	Tubazione diffusore	•	
81	38413700	Tubazione diffusore		•
82	38413710	Tubazione a monte pompa riscaldamento	•	•

