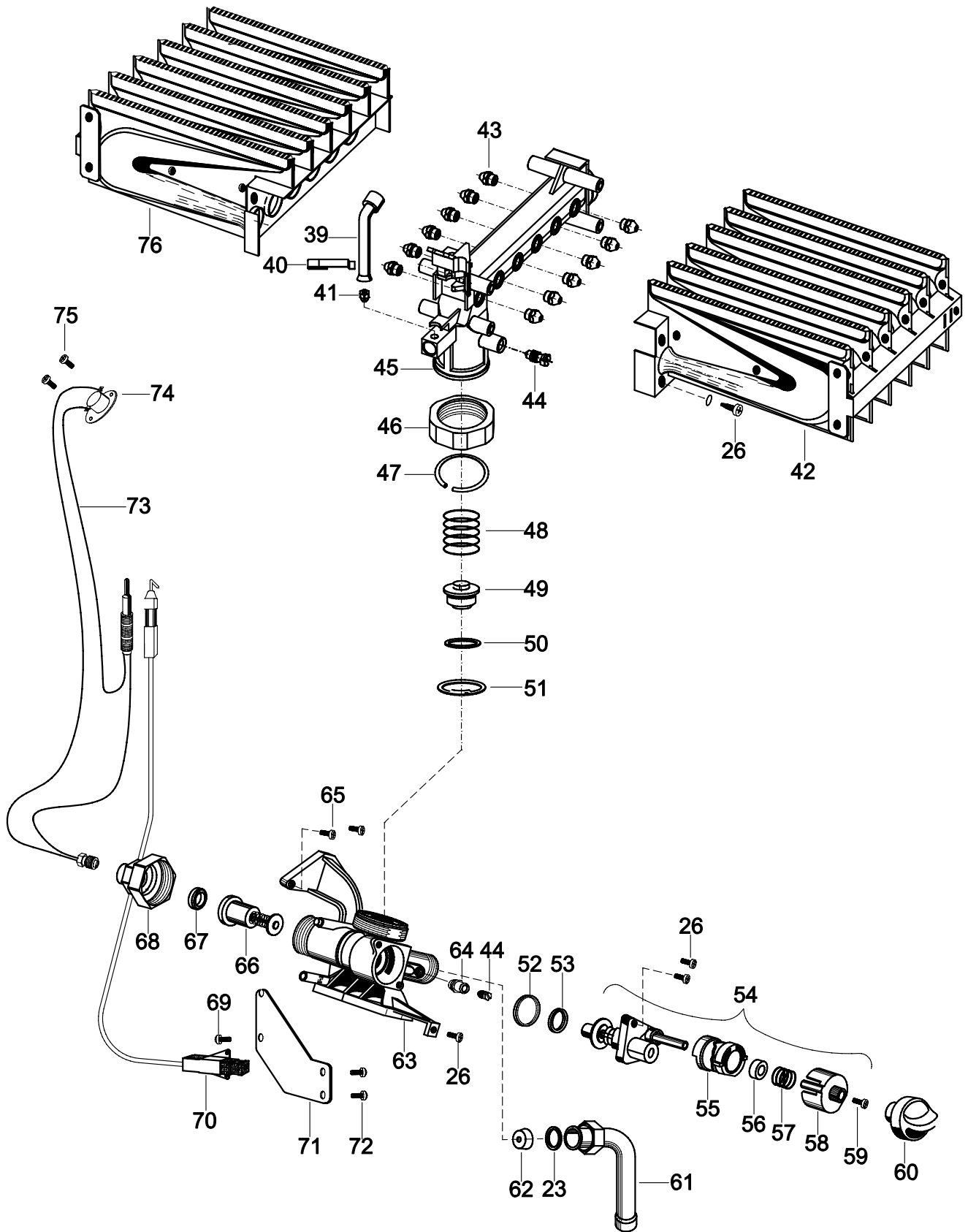


| | | | | | | | | |
|--------|--------------------|----------|----------|----------|----------|----------|----------|------------------------|
| | Modific. | Modific. | Modific. | Modific. | Modific. | Modific. | Modific. | Modelo: |
| Fecha | 6/10/06 | | | | | | | Model: E-10P (RU) (UA) |
| V°.B°. | <i>[Signature]</i> | | | | | | | Modele: |



GAS SYSTEM