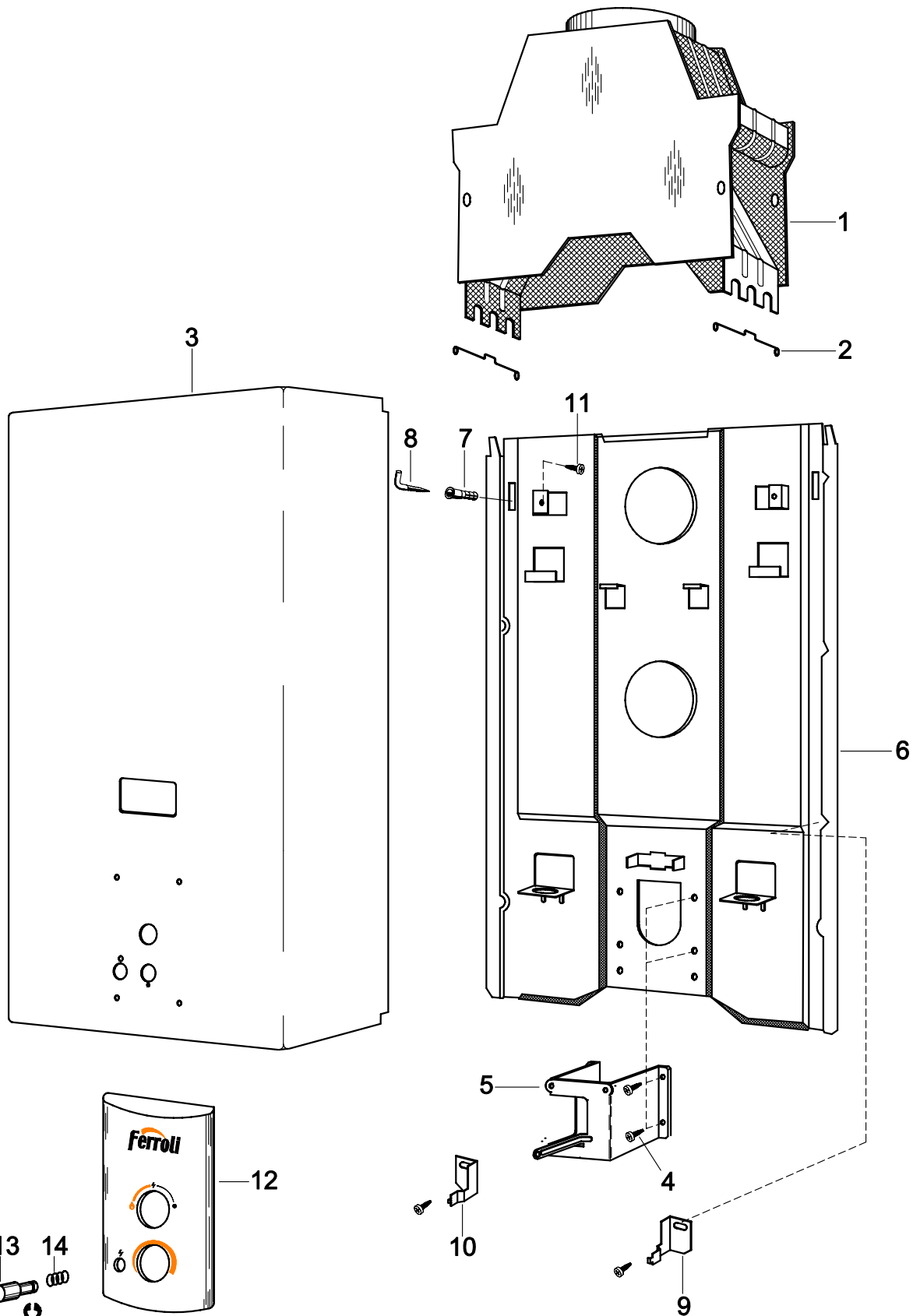


	Modific.	Modific.	Modific.	Modific.	Modific.	Modific.	Modific.	Modelo:
Fecha	06/10/06							Model: E-10P (RU) (UA)
V°.B°.	<i>[Signature]</i>							Modele:



GAS WATER HEATER