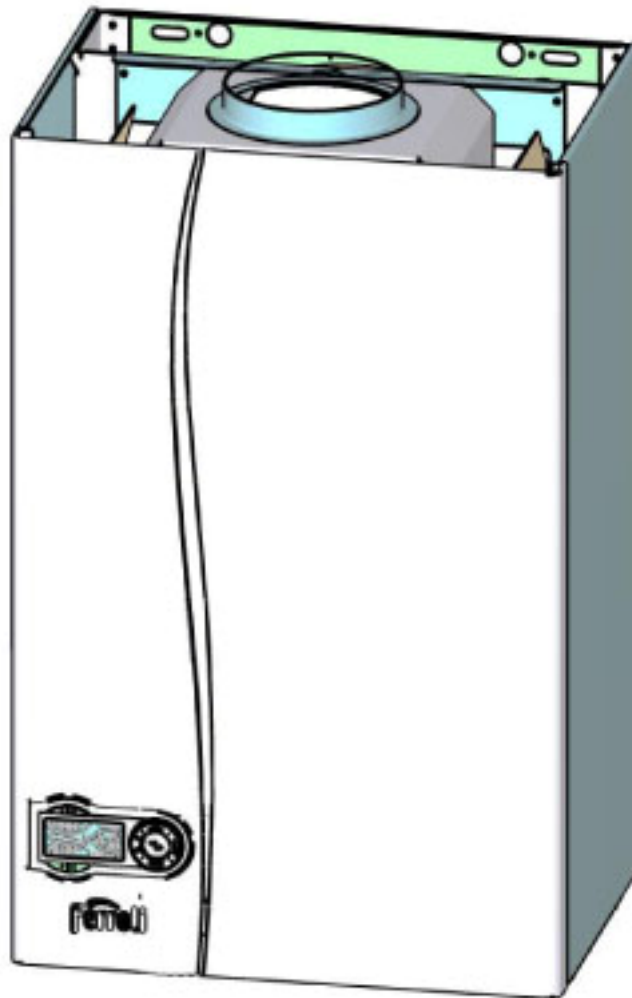




**Lista Pezzi / Spare Parts / Ersatzteile**  
**List Onderdelen / Liste Pieces Detaches / Lista Piezas De Repuesto**

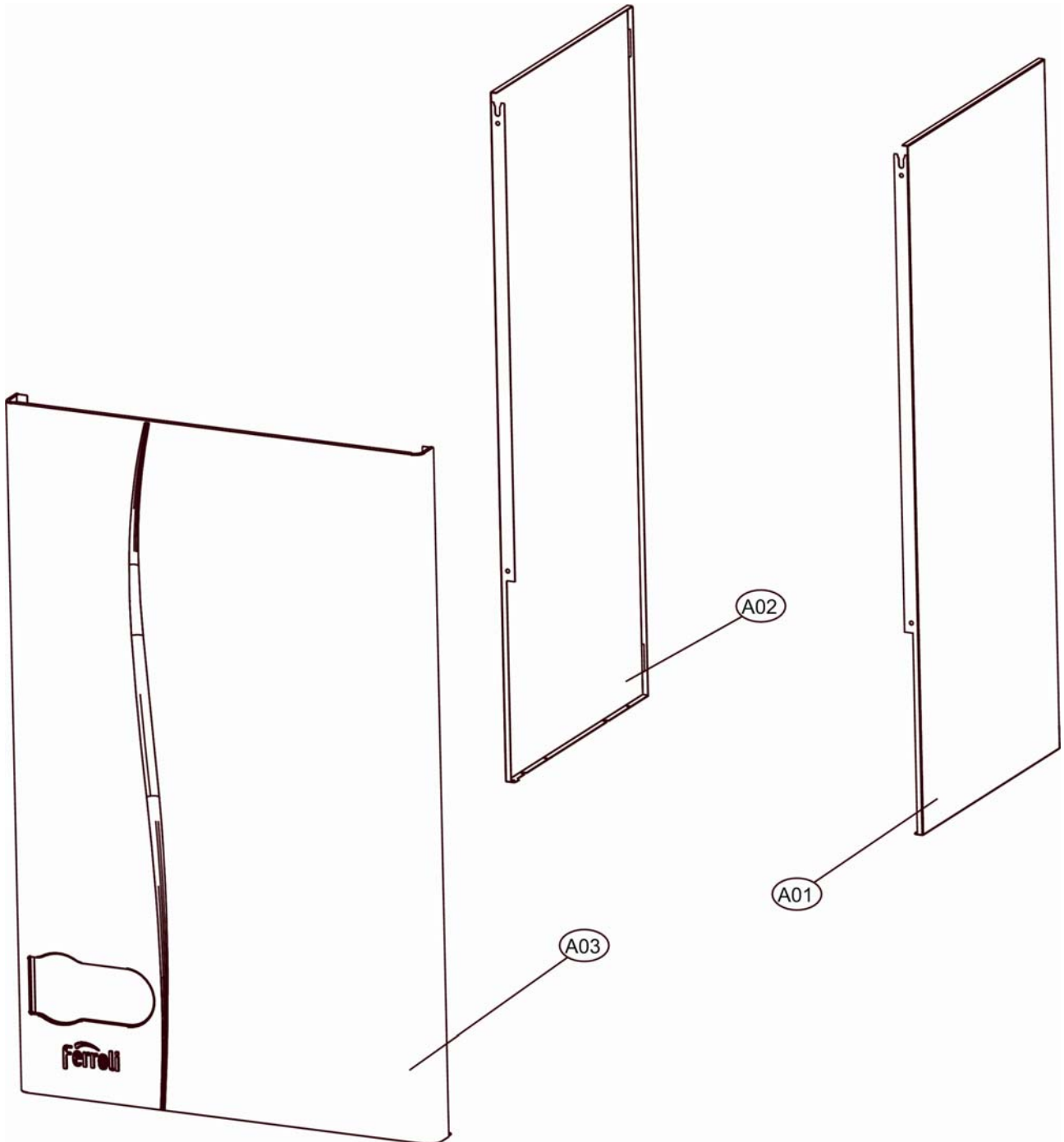
## **DIVAtop HC32**



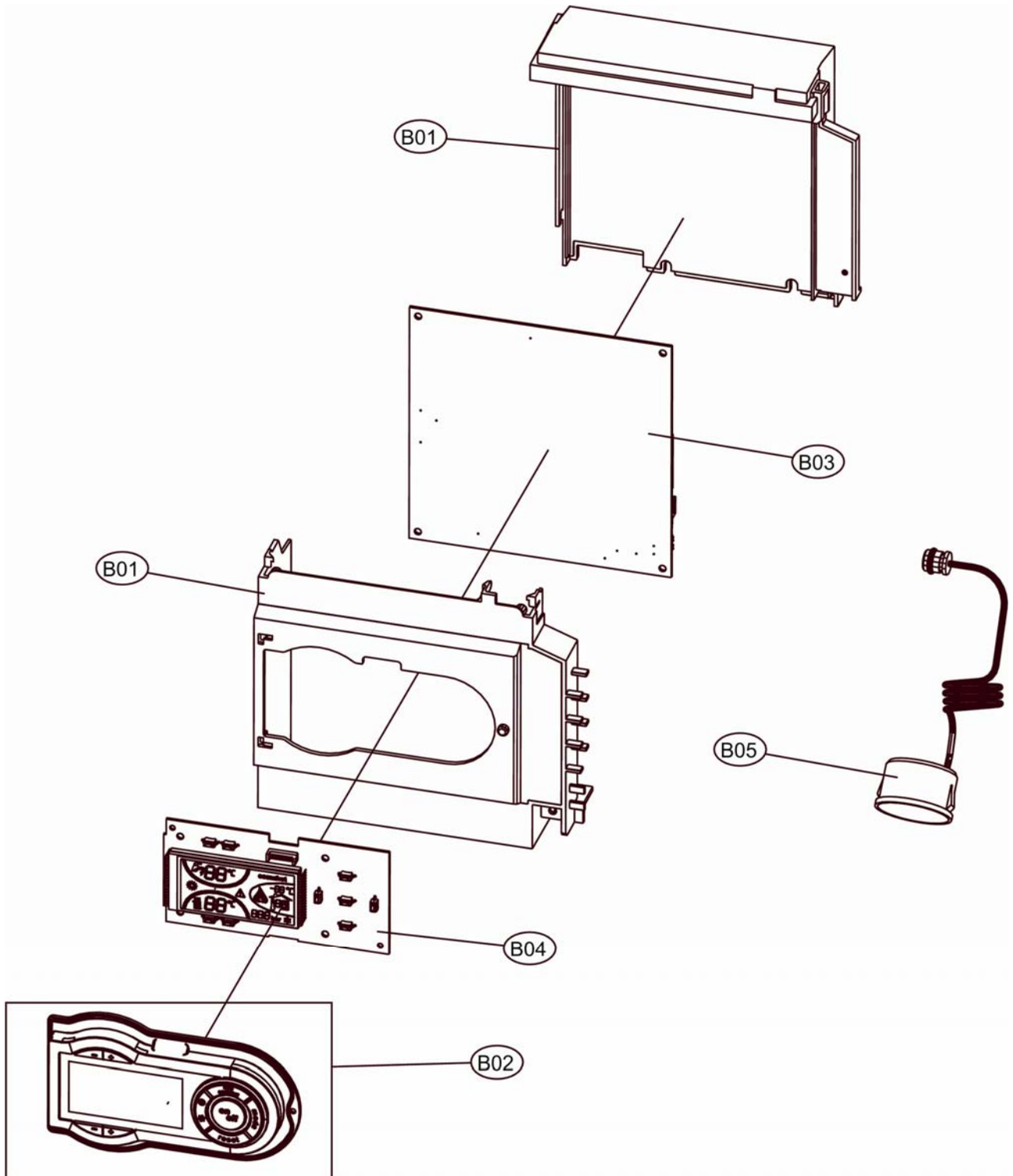
| <b>CODICE</b>     | <b>EDIZIONE</b>   | <b>MERCATO</b>     |
|-------------------|-------------------|--------------------|
| <b>30K0434001</b> | <b>01/01/2008</b> | <b>A2-A3-A4-A5</b> |



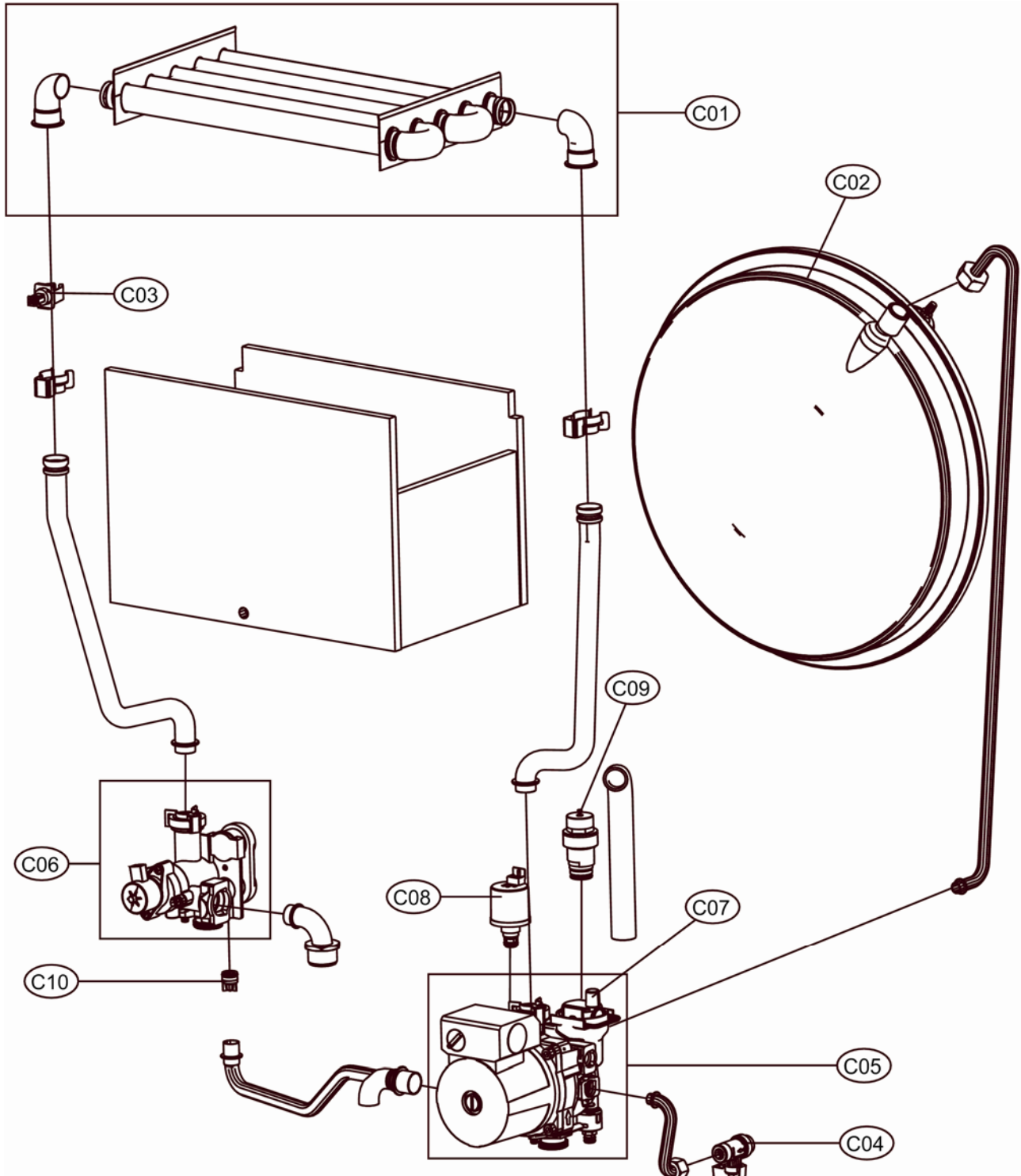
# DIVAtop HC32



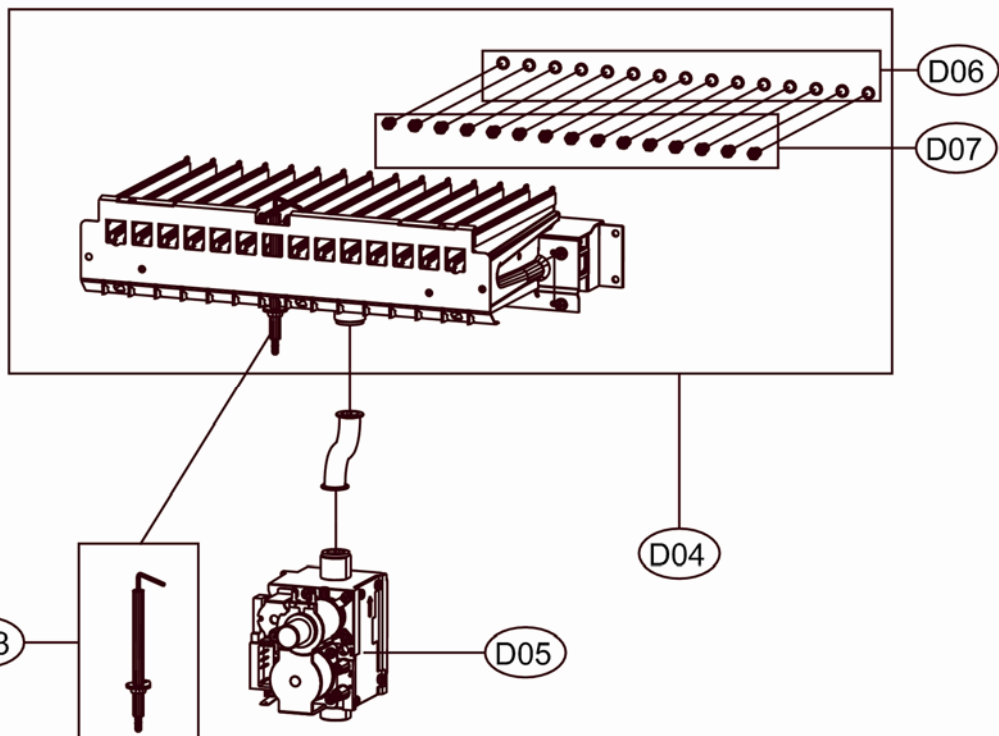
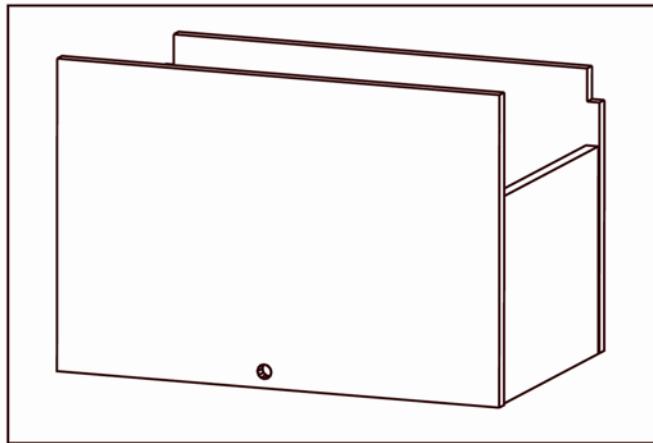
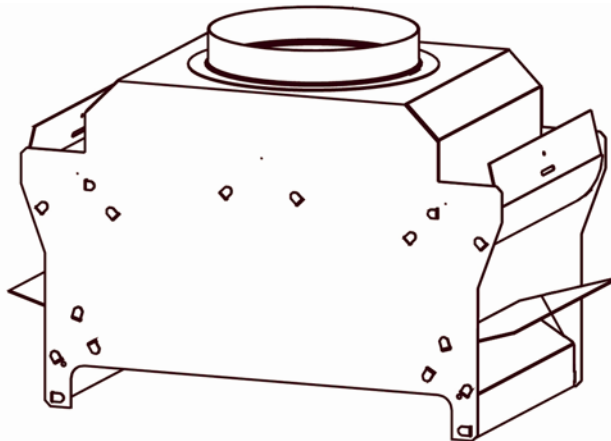
# DIVAtop HC32



# DIVAtop HC32



# DIVAtop HC32





## DIVAtop HC32

### LISTA PEZZI

| POS. | CODICE   | DESC.                          | QT.   |
|------|----------|--------------------------------|-------|
| A01  | 39823890 | KIT FIANCO DEX. (3110C330)     | 1.000 |
| A02  | 39823900 | KIT FIANCO SIN. (3110C350)     | 1.000 |
| A03  | 39820370 | KIT PANNELLO A."FOL"(31116580) | 1.000 |
| B01  | 39820380 | KIT SCATOLA EL."FOL"(35012290) | 1.000 |
| B02  | 39820390 | KIT PORTASCHEDA (35011950)     | 1.000 |
| B03  | 39820400 | KIT CENTRALINA DBM03(36507980) | 1.000 |
| B04  | 39820410 | KIT SCHEDA EL.DSP05 (38321600) | 1.000 |
| B05  | 39818210 | KIT IDROMETRO (36402070)       | 1.000 |
| C01  | 39820890 | KIT SCAMB.MONOTERM. (37404290) | 1.000 |
| C02  | 39809690 | KIT VASO ESP.10Lt. (36802740)  | 1.000 |
| C03  | 39819550 | KIT SONDA TEMP. (36200730)     | 1.000 |
| C04  | 39808980 | KIT RUB.3/8" Tp.5014(36901470) | 1.000 |
| C05  | 39820900 | KIT POMPA 15-60 FPL (36600150) | 1.000 |
| C06  | 39828210 | KIT VALV.3VIE (36902320)       | 1.000 |
| C07  | 39818220 | KIT V.ARIA (39404380-39404730) | 1.000 |
| C08  | 39818770 | KIT TRANSDUTT.PRESS.(36402100) | 1.000 |
| C09  | 39818270 | KIT VALV.SIC. (39404720)       | 1.000 |
| C10  | 39818790 | KIT 10 VALV.N/R. (36902190)    | 1.000 |
| D01  | 39807500 | KIT TST.FUMI COMPL. (38319080) | 1.000 |
| D02  | 39819720 | KIT ISOL.CAM.COMB.Sr.ABC7-ABF7 | 1.000 |
| D03  | 39819430 | KIT ELETTRODO ACC. (36702890)  | 1.000 |
| D04  | 39819730 | KIT BRUC.15R.m. (37608931)     | 1.000 |
| D05  | 39812190 | KIT VALV.VGU 54A1109(36800400) | 1.000 |
| D06  | 39819700 | KIT 15 UG.1,35 m. (34009821)   | 1.000 |
| D07  | 39819710 | KIT 15 UG.0,79 gpl (34013300)  | 1.000 |