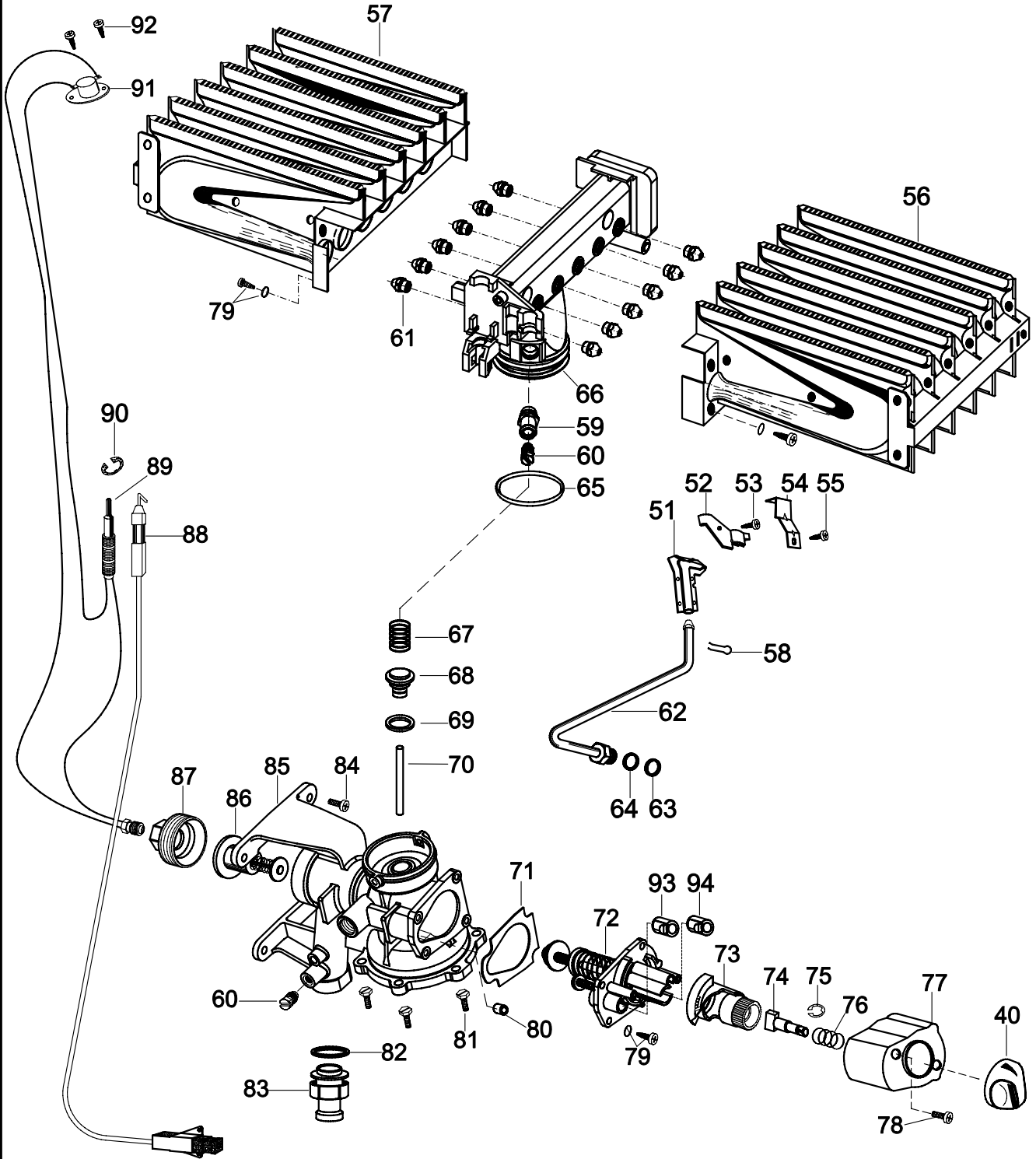


| | | | | | | | |
|--------|------------|----------|----------|----------|----------|----------|----------|
| | Modific. | Modific. | Modific. | Modific. | Modific. | Modific. | Modific. |
| Fecha | 16/10/06 | | | | | | |
| V°.B°. | <i>Aut</i> | | | | | | |

Modelo: CL-11 (RU) (UA)
Model: CL-11 (RU) (UA)
Modele:



GAS SYSTEM