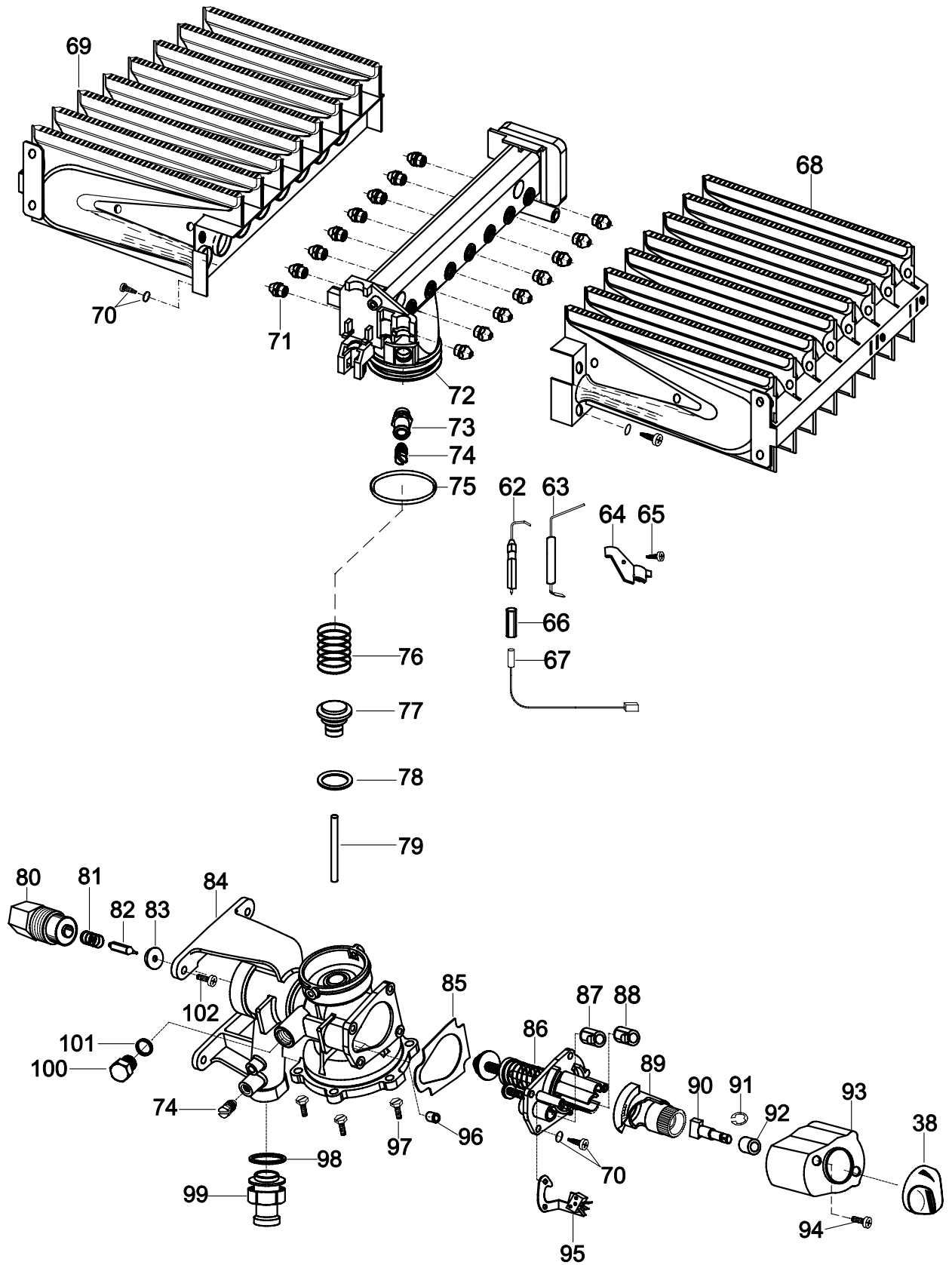


	Modific.	Modific.	Modific.	Modific.	Modific.	Modific.	Modific.
Fecha	23/10/06						
V°.B°.	<i>[Signature]</i>						

Modelo: **CIP-13 (RU) (UA)**
 Model:
 Modele:



GAS SYSTEM