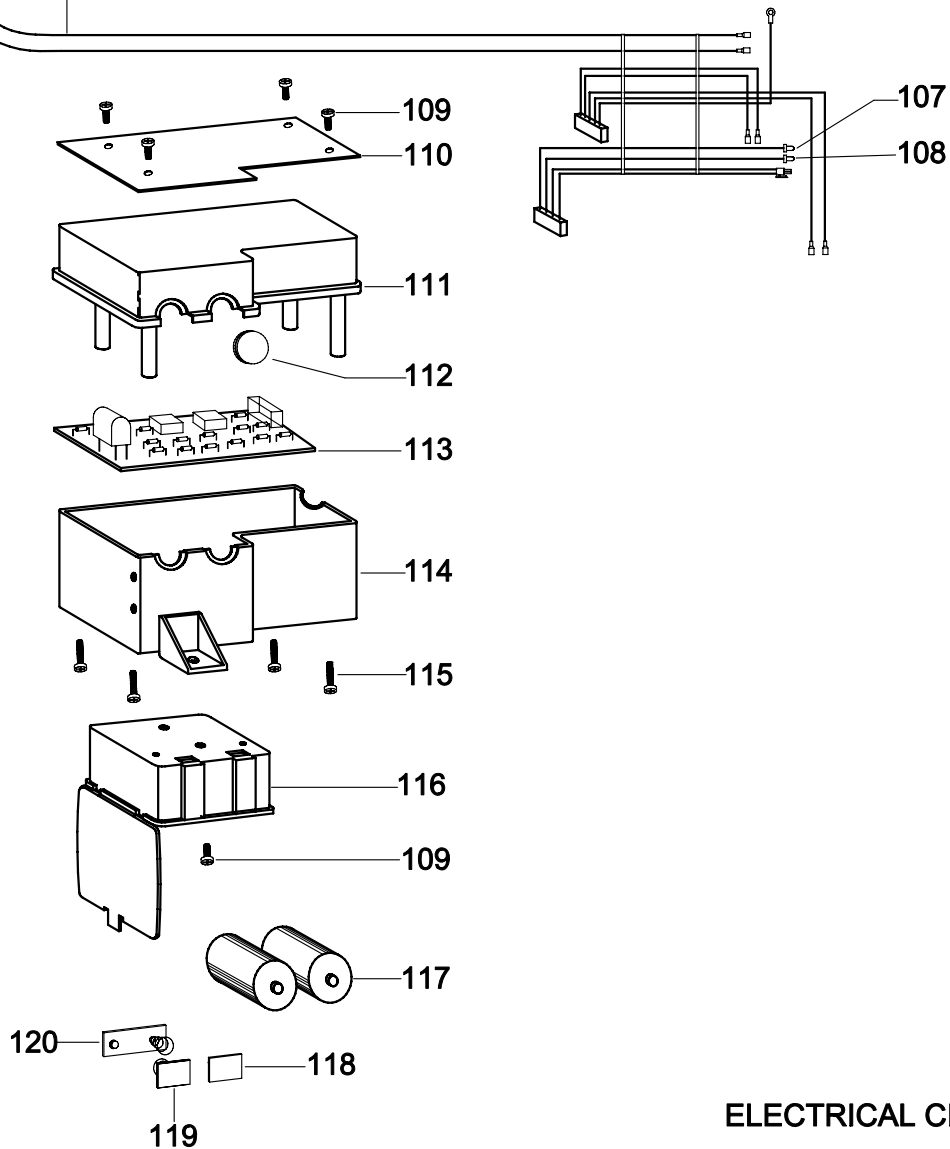
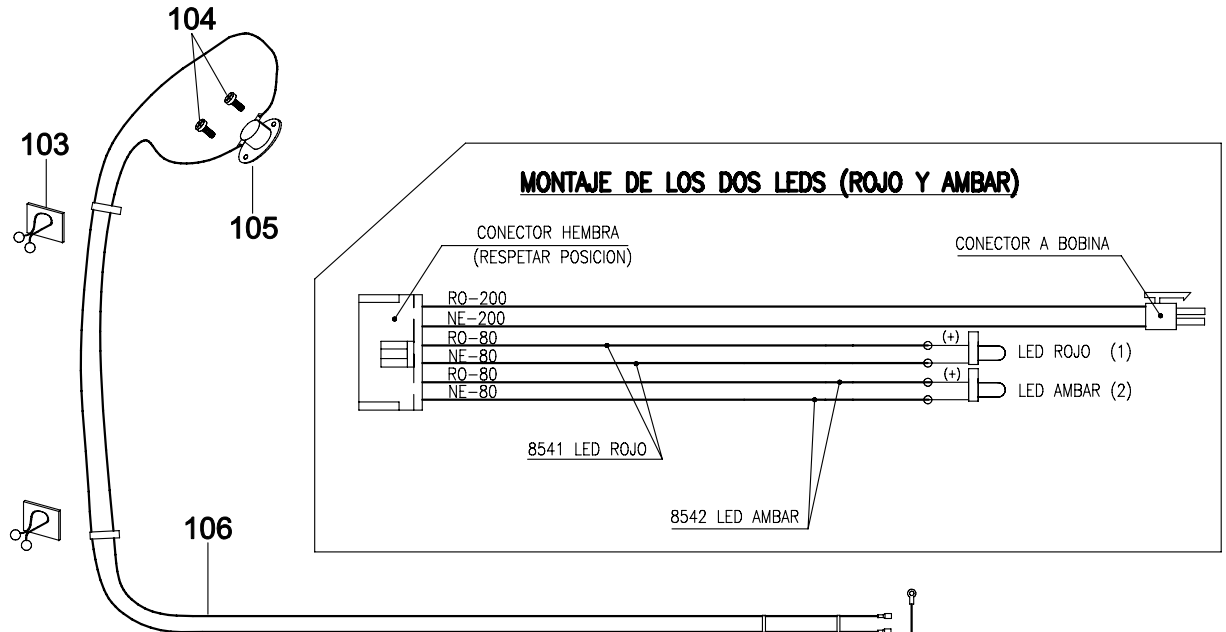


	Modific.	Modific.	Modific.	Modific.	Modific.	Modific.	Modific.	Modelo:
Fecha	23/10/06							Model: CIP-11 (RU) (UA)
V°.B°:	<i>Aut</i>							Modele:



ELECTRICAL CIRCUIT