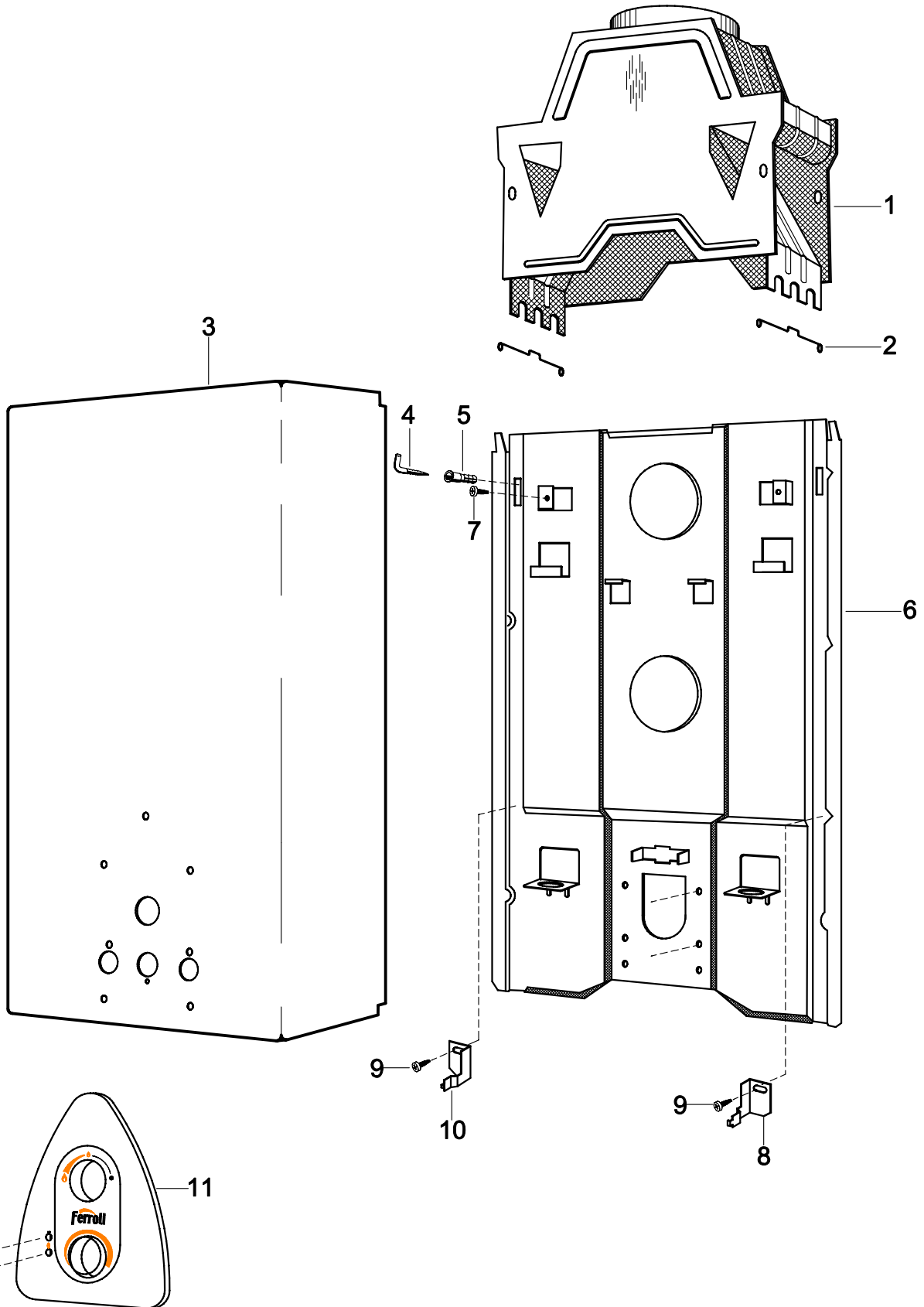


	Modific.	Modific.	Modific.	Modific.	Modific.	Modific.	Modific.	Modelo:
Fecha	25/10/06							Model:
V°.B°:	<i>Ant.</i>							Modele:

**CIP-11 (RU) (UA)**



**GAS WATER HEATER**